

Hotel Restaurant (DIN rail) Application



The Langham, Landau Restaurant, London

- Easy To Use
- Simple To Install
- Cost Effective
- Remote Capability
- Multi-point Control
- Creative Ambience

Requirements

A restaurant area catering for multiple dining requirements, such as an elegant breakfast buffet, business lunches, and romantic evenings with fine dining.

A single control point is required at the matie'd station to allow manual selection of the pre-programmed scenes applicable to the ambience required. In addition a secondary control point is required, to provide lighting levels suitable for restaurant set-up and cleaning by staff.

Luminaires used consist of decorative pendants, low voltage ceiling recessed halogen downlights, directional spotlights for accent to the buffet displays with the use of compact fluorescent lighting for general set-up and cleaning.

Products



Modular Panel

Wall mounted control panel supplied in a range of combinations from two to eight buttons. All fitted with an infrared receiver.



402 DALI Power Supply

Unit that provides 250mA DALI supply to all system components.



452 Universal Dimmer

Single channel unit that provides leading or trailing edge dimming for total load up to 1000w.

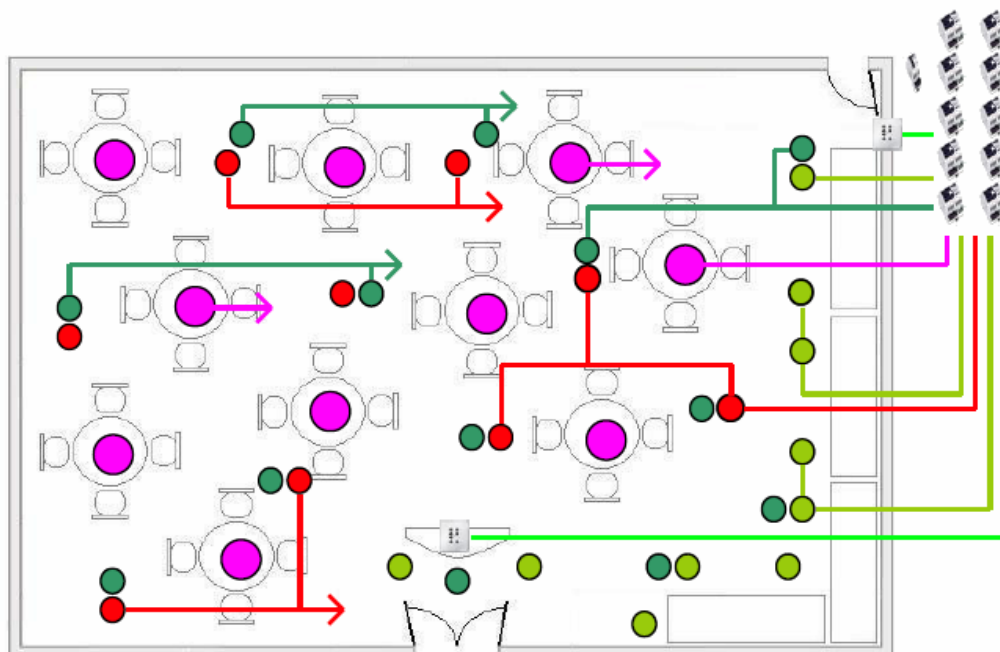


472 1-10V / DSI Converter

Single channel unit that provides 1-10V or DSI dimming signals for fluorescent ballasts, also includes a switched output with 10A rating.

Wiring

LNE Down Lights	
LNE Spot Lights	
Decorative Pendants	
CFL Down Lights	
DALI Control Pair	



Note:-
Not All Connections
or Modules Shown.

Contact your local Helvar representative or visit us online at www.helvar.com

Due to a policy of continuous improvement, Helvar reserve the right to alter specifications without notice at any time.