

# CTR-DALIPWM



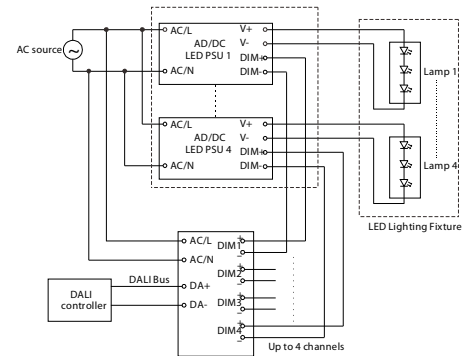
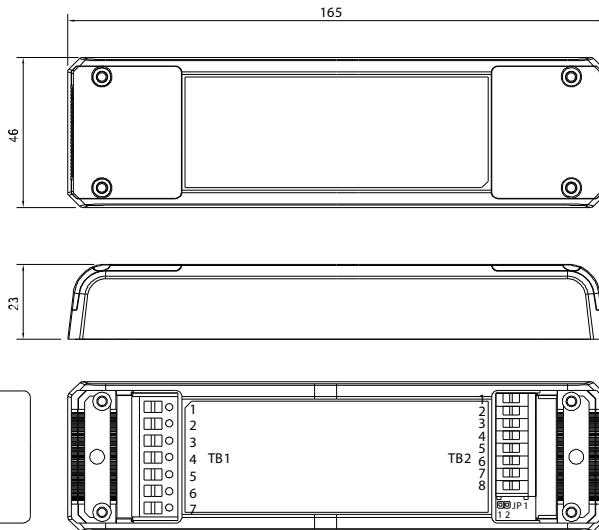
## Features

- Up to 4 Addressable DALI Channels
- DALI to PWM Signal
- Switchable characteristics - Linear/Logarithmic
- Load capacity of switching contact - 8A
- Suitable for up to 20 PWM Devices per/ch
- Dimming range 1-100%
- RoHS compliant
- 3 year warranty



## Dali to PWM Converter

The DALI converter allows control of the xulux range of dimmable constant voltage LED power supplies via a DALI signal.



Terminal Pin No. Assignment(TB1)

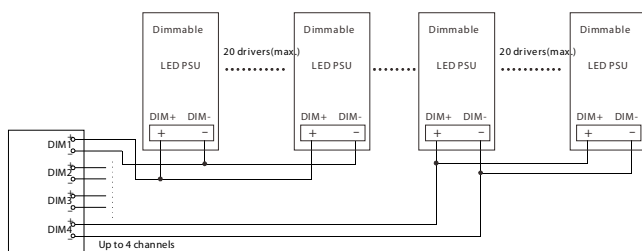
Pin No.	Assignment	Pin No.	Assignment
1	AC/L	5	DA-
2	AC/N	6	RY+
3	PUSH	7	RY-
4	DA+		

Terminal Pin No. Assignment(TB2)

Pin No.	Assignment	Pin No.	Assignment
1	DIM1+	5	DIM3+
2	DIM1-	6	DIM3-
3	DIM2+	7	DIM4+
4	DIM2-	8	DIM4-

Terminal Pin No. Assignment(JP1)

Pin No.	Assignment
1,2	ACT-HI



DAP-04 (DALI-PWM signal converter)

