

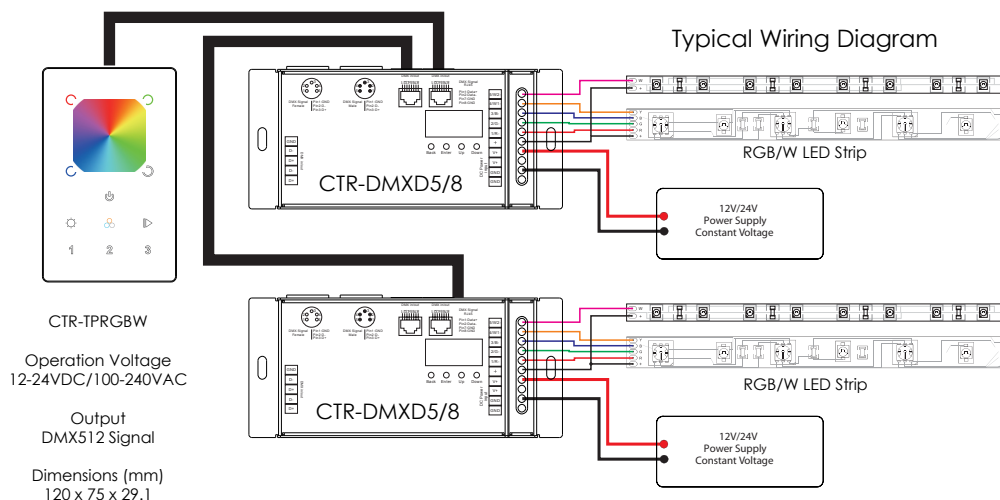
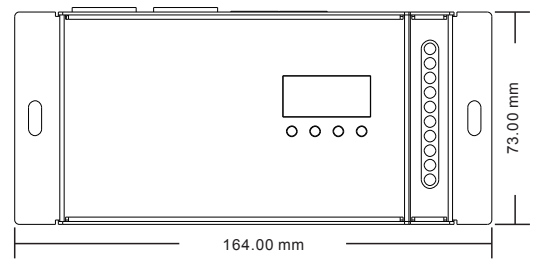
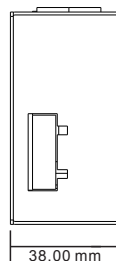
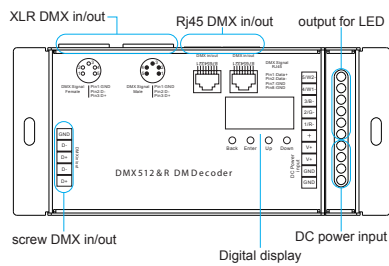
# CTR-DMXD5/8

DMX512 & RDM Decoder



Features:

- 5 Channel 8 Amps Per Channel DMX Decoder
- DMX Port Options - XLR 5 Pin/RJ45/Screw Term
- Digital Display for Easy DMX Addressing
- Input Voltage - 12-24VDC
- 16 and 8 Bit Optional
- Constant Voltage Operation



XULUX Pty Ltd  
 14/388 Newman Road Geebung Qld 4034  
 P 07 3172 7131 F 07 3161 5598  
 E sales@xulux.com.au  
 W www.xulux.com.au

Specifications are subject  
 to change without notice  
 CTR-DMXD5/8RX2

**XULUX**  
 LED LIGHTING SOLUTIONS