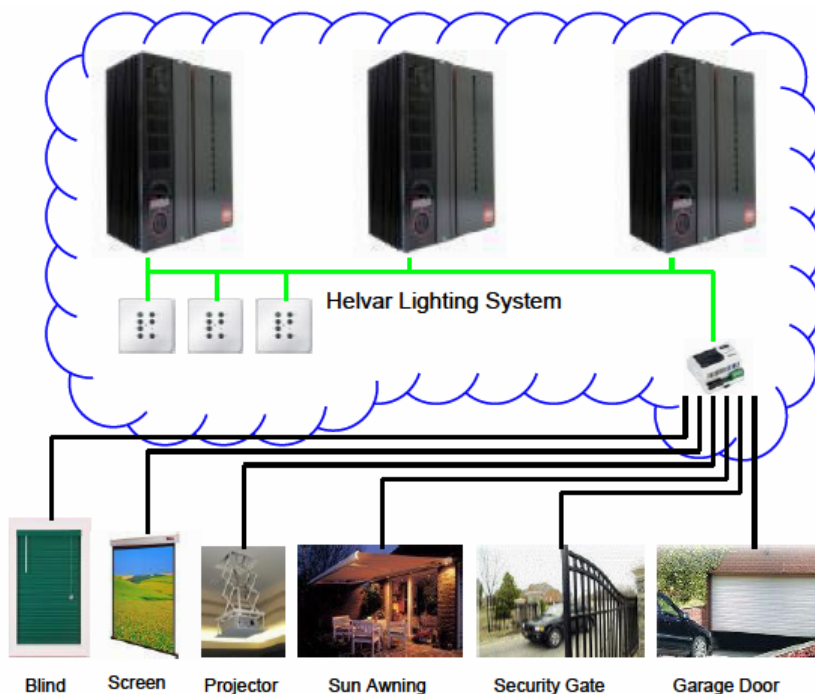


Motor Control Information



- With Helvar 490
- Curtains & Blinds
- Screens & Projectors
- Sun Awnings
- Access & Security Gates
- Garage Doors & Window Shutters

Further Reading:

Data Sheet 7860074

Installation Sheet 7860052

Overview

Dependent on the specification it is normally possible for the lighting system to drive a host of different motors in numerous applications. In domestic use it is also quite common for the demand to be centred on sun blinds, curtains and external awnings or garage doors and security gates.

In meeting room applications, the same need applies for sun blinds or curtains but is also complemented with motor control for the projection screen and projector lift. Having the ability to interact with these from a single button as well as with the lighting provides an integrated control system.

Office applications may include the drive of electrically controlled window and storm shutters. Combined with various other sensor inputs, the lighting system can open & close these automatically dependent on external weather conditions and internal climate control, in effect the window can be opened to provide venting to the building as opposed to increasing the load on the HVAC system.

Functions

The motor controller provides relay pairs that can be configured in a number of ways to suit the intended motor load. Typical paired use includes open & close or up & down, as well as an on/off feed & direction.

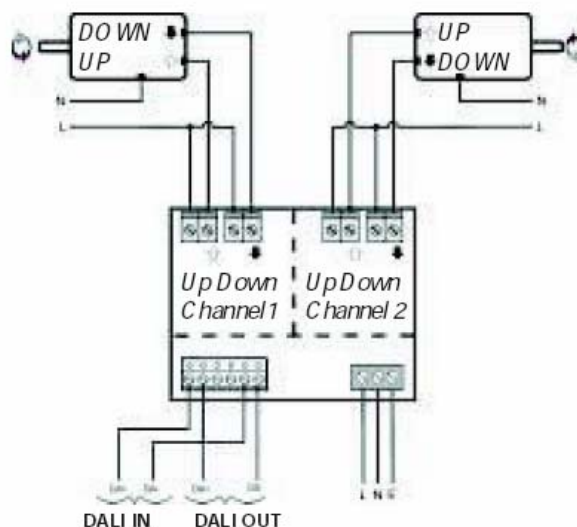
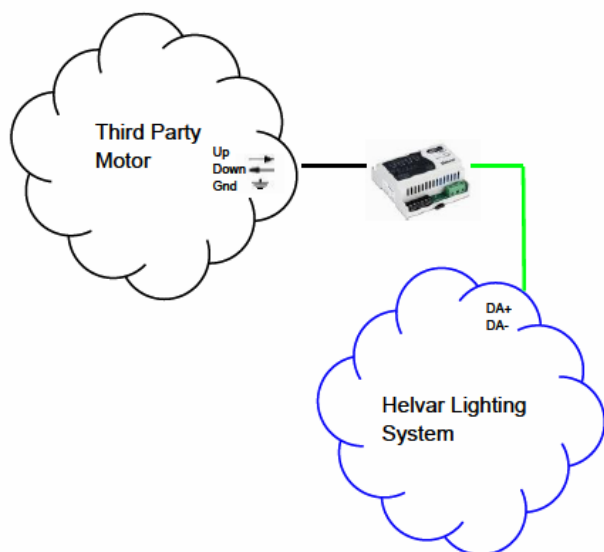
The relays are volt-free and each of the pair provides a normally open contact electrically isolated from the other. This provides flexibility with the motor voltage rating, allowing use with extra-low voltage DC units through to mains rated models.

In all cases the relays operate on an inter-locked basis to prevent invalid states, For example when going from open to close, the possibility for both drives to be present at the same time is removed.

A run-time option allows the length of time the relay contacts are closed to also be set. This can provide automatic removal of power from the motor after such as full travel of a blind or the curtain is reached, thus safely isolating the circuit.

Control Flow

Relay Control Pair ———
 DALI Control Pair ———



Contact your local Helvar representative or visit us online at www.helvar.com
 Due to a policy of continuous improvement, Helvar reserve the right to alter specifications without notice at any time.