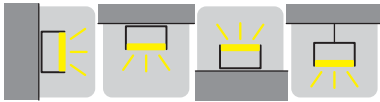
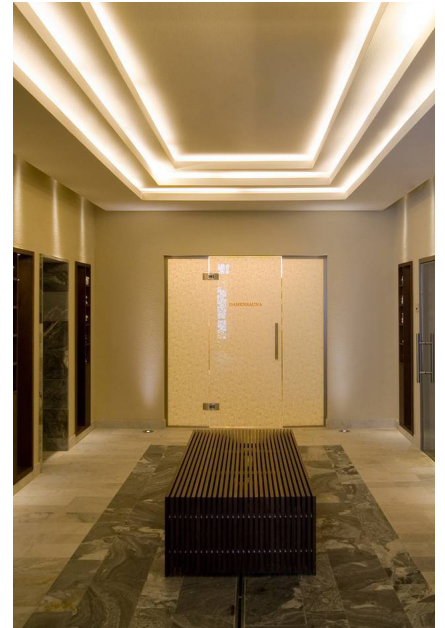
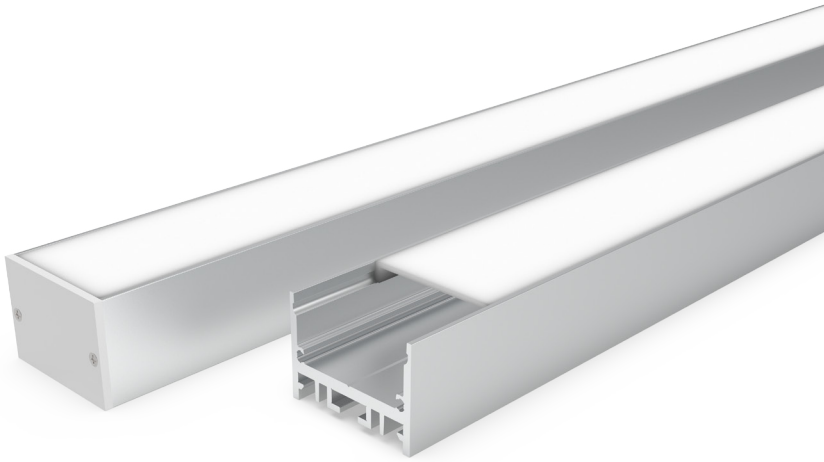
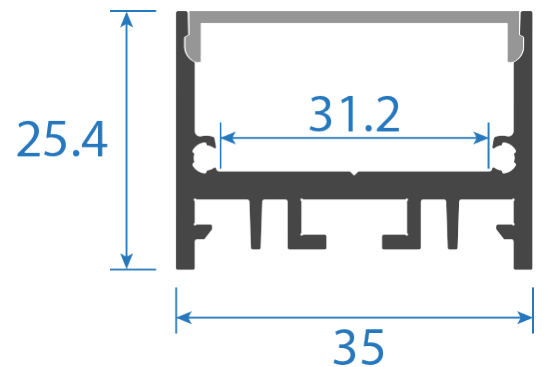


MAXI3525

ARCHITECTURAL ALUMINIUM EXTRUSION



| | |
|-----------------------|--|
| Base Material | Aluminium |
| Base Finish | Naturally Anodised |
| Diffuser Material | PC - (Poly Carbonate) |
| Diffuser Transmission | 65% |
| Dimensions | Length - 2,000mm Width - 35.0mm Height - 25.4mm Internal LED Bed - 31.2mm |
| End Treatment | Metal Caps |
| Mounting | Metal Clips/Joiners/Suspension |



Recommended LED options:

| | |
|--|--|
| Linearflex 10.1 - 5,000mm x 8mm - CRI >80+ Colour/Output Code 3000K - W30 4000K - W40 LFIP33-10.1-XXX80-24 (10.1 W/Mtr) 1147 Lm/Mtr 1183 Lm/Mtr 10.20 mm 98 Leds/Mtr Cutting Unit -71 mm 8 mm 1.6 mm | Linearflex RGB - 5,000mm x 8mm Colour/Output Code Red Green Blue LFIP33-14.4-RGB-24 (14.4 W/Mtr) 108 L/Mtr 279 L/Mtr 55 L/Mtr 16.66 mm 60 Leds/Mtr Cutting Unit -100 mm 10 mm 2.1 mm |
| Linearflex 14.4 - 5,000mm x 8mm - CRI >80+ Colour/Output Code 3000K - W30 4000K - W40 LFIP33-14.4-XXX80-24 (14.4 W/Mtr) 1454 Lm/Mtr 1499 Lm/Mtr 8.33 mm 120 Leds/Mtr Cutting Unit -50 mm 8 mm 1.6 mm | Linearflex RGBW - 5,000mm x 12mm Colour/Output Code Red Green Blue LFIP33-19.2-RGBW-24 (19.2W/Mtr) 108 L/Mtr 279 L/Mtr 55 L/Mtr 16.66 mm 60 Leds/Mtr Cutting Unit -100 mm 12 mm 2.1 mm |
| Linearflex 17.3 - 5,000mm x 8mm - CRI >80+ Colour/Output Code 3000K - W30 4000K - W40 LFIP33-17.3-XXX80-24 (17.3 W/Mtr) 1964 Lm/Mtr 2025 Lm/Mtr 5.95 mm 168 Leds/Mtr Cutting Unit -42 mm 10 mm 1.6 mm | Linearflex ADJ - 5,000mm x 10mm Colour/Output Code 2700k - 6000k LFIP33-9.6-ADJ-24 (9.6 W/Mtr) 950 L/Mtr 14.28mm 140 Leds/Mtr Cutting Unit -100 mm 10 mm 1.6 mm |
| Linearflex 20 - 2,500mm x 20mm - CRI >80+ Colour/Output Code 3000K - W30 4000K - W40 LFIP33-20-XXX80-24 (20 W/Mtr) 2600 Lm/Mtr 2700 Lm/Mtr 20mm 280 Leds/Mtr Cutting Unit 50 mm 10 mm 1.6 mm | |
| Ledconnect 14.5 - 495mm x 27mm - CRI >80+ Colour/Output Code 3000K - W30 4000K - W40 LCIP33-14.5-XXX80-24 (29 W/Mtr) 2987 Lm/Mtr 3277 Lm/Mtr 27mm 60 Leds/Mtr Cutting Unit 100 mm 10 mm 5.6 mm | |

- 1 - Other Lumen Outputs, Wattages, CRI Values and IP Ratings available on request
- 2 - All dimensions were correct at time of publication but measurement tolerance may vary +/- 0.5mm
- 3 - All lumens per metre (L/Mtr) and wattage per metre (W/Mtr) test measurements are based on a 1 metre length of LED strip