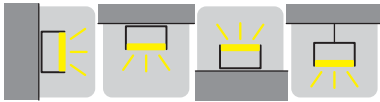
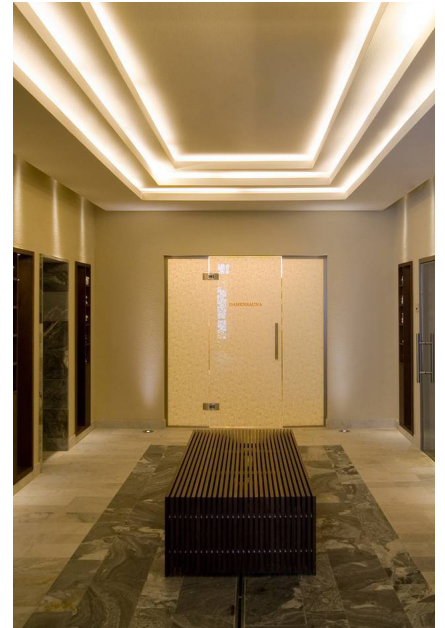
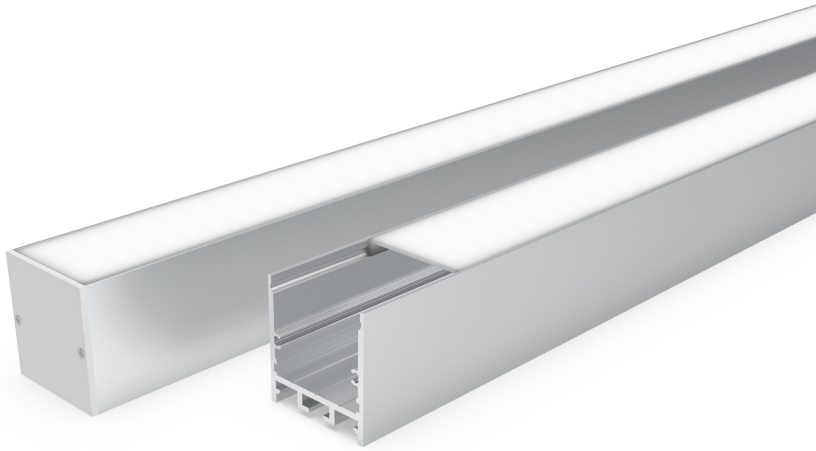
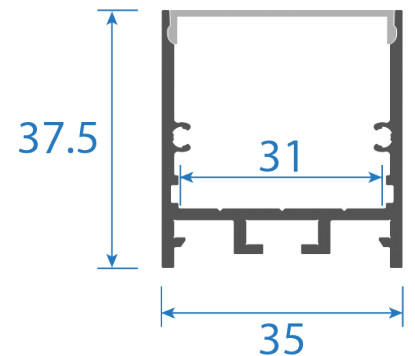


# MAXI3537

ARCHITECTURAL ALUMINIUM EXTRUSION



Base Material	Aluminium
Base Finish	Naturally Anodised
Diffuser Material	PC - (Poly Carbonate)
Diffuser Transmission	65%
Dimensions	Length - 2,000mm Width - 35.0mm Height - 37.5mm Internal LED Bed - 31.0mm
End Treatment	Metal Caps
Mounting	Metal Clips/Joiners/Suspension



## Recommended LED options:

LED Option	Code	Colour/Output	Dimensions	Output
<b>Linearflex 10.1 - 5,000mm x 8mm - CRI &gt;80+</b>	LFP33-10.1-XXX80-24	3000K - W30 4000K - W40	10.20 mm   8 mm   1.6 mm	98 Leds/Mtr
<b>Linearflex 14.4 - 5,000mm x 8mm - CRI &gt;80+</b>	LFP33-14.4-XXX80-24	3000K - W30 4000K - W40	8.33 mm   8 mm   1.6 mm	120 Leds/Mtr
<b>Linearflex 17.3 - 5,000mm x 8mm - CRI &gt;80+</b>	LFP33-17.3-XXX80-24	3000K - W30 4000K - W40	5.95 mm   10 mm   1.6 mm	168 Leds/Mtr
<b>Linearflex 20 - 2,500mm x 20mm - CRI &gt;80+</b>	LFP33-20-XXX80-24	3000K - W30 4000K - W40	20 mm   50 mm   1.6 mm	280 Leds/Mtr
<b>Ledconnect 14.5 - 495mm x 27mm - CRI &gt;80+</b>	LCP33-14.5-XXX80-24	3000K - W30 4000K - W40	27 mm   100 mm   5.6 mm	60 Leds/Mtr
<b>Linearflex RGB - 5,000mm x 8mm</b>	LFP33-14.4-RGB-24	Red Green Blue	16.66 mm   10 mm   2.1 mm	60 Leds/Mtr
<b>Linearflex RGBW - 5,000mm x 12mm</b>	LFP33-19.2-RGBW-24	Red Green Blue	16.66 mm   12 mm   2.1 mm	60 Leds/Mtr
<b>Linearflex ADJ - 5,000mm x 10mm</b>	LFP33-9.6-ADJ-24	2700k - 6000k	14.28mm   10 mm   1.6 mm	140 Leds/Mtr

- 1 - Other Lumen Outputs, Wattages, CRI Values and IP Ratings available on request
- 2 - All dimensions were correct at time of publication but measurement tolerance may vary +/- 0.5mm
- 3 - All lumens per metre (L/Mtr) and wattage per metre (W/Mtr) test measurements are based on a 1 metre length of LED strip