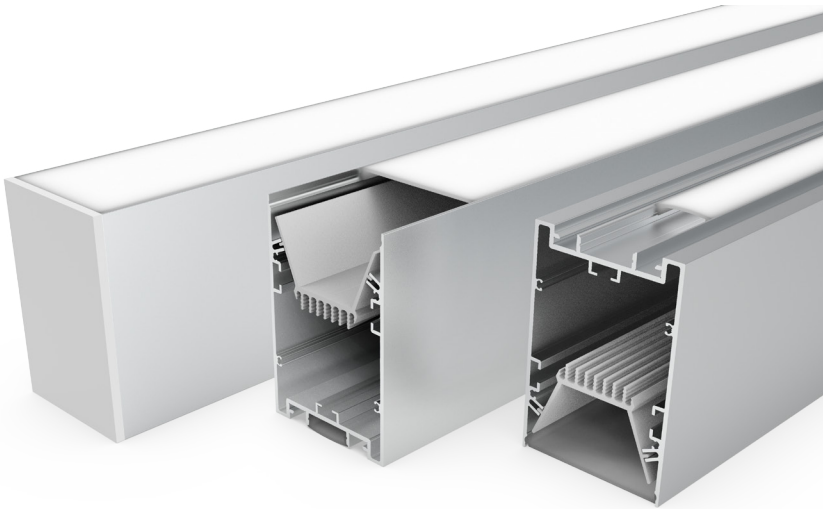
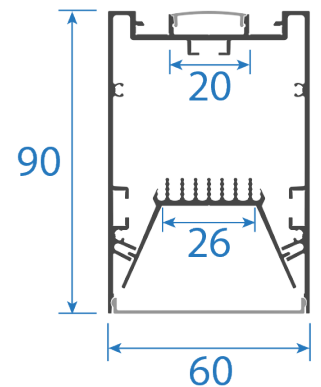


MAXI6090UD

ARCHITECTURAL ALUMINIUM EXTRUSION



Base Material	Aluminium
Base Finish	Naturally Anodised
Diffuser Material	PC - (Poly Carbonate)
Diffuser Transmission	70%
Dimensions	Length - 2,000mm Width - 60.0mm Height - 90mm Internal LED Bed Up/Dn - 20/26mm
End Treatment	Metal Caps
Mounting	Metal Clips or Suspension



Recommended LED options: (Linearflex 20/25 & Ledconnect 14.5 Down only)

Linearflex 10.1 - 5,000mm x 8mm - CRI >80+	Colour/Output	10.20 mm	98 Leds/Mtr
Code	3000K - W30 4000K - W40		8mm
LFP33-10.1-XXX80-24 (10.1 W/Mtr)	1147 Lm/Mtr 1183 Lm/Mtr	Cutting Unit - 71 mm	1.6 mm

Linearflex RGB - 5,000mm x 8mm	Colour/Output	16.66 mm	60 Leds/Mtr
Code	Red Green Blue		8mm
LFP33-14.4-RGB-24 (14.4 W/Mtr)	108 L/Mtr 279 L/Mtr 55 L/Mtr	Cutting Unit - 100 mm	2.1 mm

Linearflex 14.4 - 5,000mm x 8mm - CRI >80+	Colour/Output	8.33 mm	120 Leds/Mtr
Code	3000K - W30 4000K - W40		8mm
LFP33-14.4-XXX80-24 (14.4 W/Mtr)	1454 Lm/Mtr 1499 Lm/Mtr	Cutting Unit - 50 mm	1.6 mm

Linearflex RGBW - 5,000mm x 12mm	Colour/Output	16.66 mm	60 Leds/Mtr
Code	Red Green Blue		12mm
LFP33-19.2-RGBW-24 (19.2W/Mtr)	108 L/Mtr 279 L/Mtr 55 L/Mtr	Cutting Unit - 100 mm	2.1 mm

Linearflex 17.3 - 5,000mm x 8mm - CRI >80+	Colour/Output	5.95 mm	168 Leds/Mtr
Code	3000K - W30 4000K - W40		10mm
LFP33-17.3-XXX80-24 (17.3 W/Mtr)	1964 Lm/Mtr 2025 Lm/Mtr	Cutting Unit - 42 mm	1.6 mm

Linearflex ADJ - 5,000mm x 10mm	Colour/Output	14.28mm	140 Leds/Mtr
Code	2700k - 6000k		10mm
LFP33-9.6-ADJ-24 (9.6 W/Mtr)	950 L/Mtr	Cutting Unit - 100 mm	1.6 mm

Linearflex 20 - 2,500mm x 20mm - CRI >80+	Colour/Output	20mm	280 Leds/Mtr
Code	3000K - W30 4000K - W40		10mm
LFP33-20-XXX80-24 (20 W/Mtr)	2600 Lm/Mtr 2700 Lm/Mtr	Cutting Unit 50 mm	1.6 mm

Linearflex 25 - 2,500mm x 34mm - CRI >80+	Colour/Output	34mm	280 Leds/Mtr
Code	3000K - W30 4000K - W40		10mm
LFP33-25-XXX80-24 (25 W/Mtr)	3200 Lm/Mtr 3250 Lm/Mtr	Cutting Unit 50 mm	1.6 mm

Linearflex 25 - 2,500mm x 34mm - CRI >80+	Colour/Output	34mm	280 Leds/Mtr
Code	3000K - W30 4000K - W40		10mm
LFP33-25-XXX80-24 (25 W/Mtr)	3200 Lm/Mtr 3250 Lm/Mtr	Cutting Unit 50 mm	1.6 mm

Linearflex 25 - 2,500mm x 34mm - CRI >80+	Colour/Output	34mm	280 Leds/Mtr
Code	3000K - W30 4000K - W40		10mm
LFP33-25-XXX80-24 (25 W/Mtr)	3200 Lm/Mtr 3250 Lm/Mtr	Cutting Unit 50 mm	1.6 mm

Ledconnect 14.5 - 495mm x 27mm - CRI >80+	Colour/Output	27mm	60 Leds/Mtr
Code	3000K - W30 4000K - W40		10mm
LCIP33-14.5-XXX80-24 (29 W/Mtr)	2987 Lm/Mtr 3277 Lm/Mtr	Cutting Unit 100 mm	5.6 mm

Ledconnect 14.5 - 495mm x 27mm - CRI >80+	Colour/Output	27mm	60 Leds/Mtr
Code	3000K - W30 4000K - W40		10mm
LCIP33-14.5-XXX80-24 (29 W/Mtr)	2987 Lm/Mtr 3277 Lm/Mtr	Cutting Unit 100 mm	5.6 mm

- 1 - Other Lumen Outputs, Wattages, CRI Values and IP Ratings available on request
- 2 - All dimensions were correct at time of publication but measurement tolerance may vary +/- 0.5mm
- 3 - All lumens per metre (L/Mtr) and wattage per metre (W/Mtr) test measurements are based on a 1 metre length of LED strip