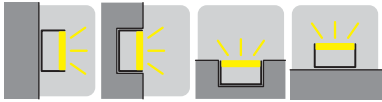
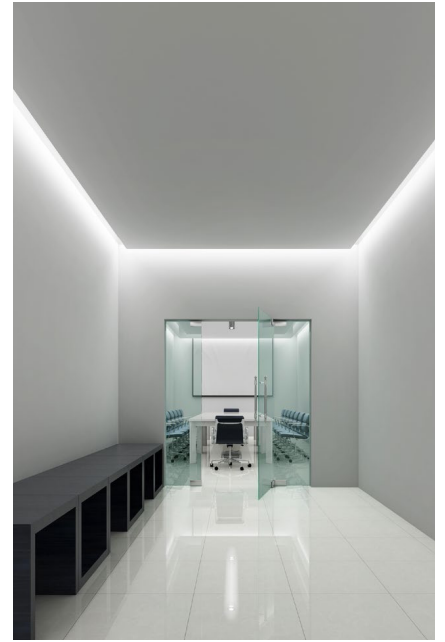
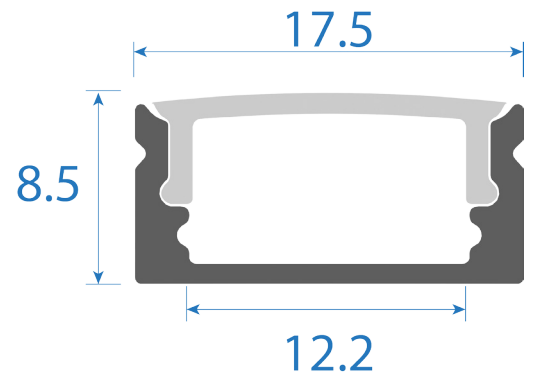


MICRO1708

ARCHITECTURAL ALUMINIUM EXTRUSION



Base Material	Aluminium
Base Finish	Naturally Anodised
Diffuser Material	PC - (Poly Carbonate)
Diffuser Transmission	75%
Dimensions	Length - 2,000mm
	Width - 17.5mm
	Height - 8.5mm
	Internal LED Bed - 12.2mm
End Treatment	Plastic Caps
Mounting	Metal Clips



Recommended LED options:

Linearflex 4.8 - 5,000mm x 8mm - CRI >80+		Colour/Output	16.66 mm	60 Leds/Mtr
Code	3000K - W30	4000K - W40		8mm
LFIP33-4.8-XXX80-24 (4.8 W/Mtr)		373 Lm/Mtr	384 Lm/Mtr	1.8mm
		Cutting Unit - 100 mm		

Linearflex 9.6 - 5,000mm x 8mm - CRI >80+		Colour/Output	8.33 mm	120 Leds/Mtr
Code	3000K - W30	4000K - W40		8mm
LFIP33-9.6-XXX80-24 (9.6 W/Mtr)		739 Lm/Mtr	762 Lm/Mtr	1.8mm
		Cutting Unit - 50 mm		

Linearflex 10.1 - 5,000mm x 8mm - CRI >80+		Colour/Output	10.20 mm	98 Leds/Mtr
Code	3000K - W30	4000K - W40		8mm
LFIP33-10.1-XXX80-24 (10.1 W/Mtr)		1147 Lm/Mtr	1183 Lm/Mtr	1.6mm
		Cutting Unit - 71 mm		

Linearflex RGB - 5,000mm x 8mm		Colour/Output	16.66 mm	60 Leds/Mtr
Code	Red	Green	Blue	10mm
LFIP33-14.4-RGB-24 (14.4 W/Mtr)		108 L/Mtr	279 L/Mtr	55 L/Mtr
		Cutting Unit - 100 mm		

Linearflex RGBW - 5,000mm x 12mm		Colour/Output	16.66 mm	60 Leds/Mtr
Code	Red	Green	Blue	12mm
LFIP33-19.2-RGBW-24 (19.2W/Mtr)		108 L/Mtr	279 L/Mtr	55 L/Mtr
		Cutting Unit - 100 mm		

Linearflex ADJ - 5,000mm x 10mm		Colour/Output	14.28mm	140 Leds/Mtr
Code	2700k - 6000k			10mm
LFIP33-9.6-ADJ-24 (9.6 W/Mtr)		950 L/Mtr		1.6mm
		Cutting Unit - 100 mm		

1 - Other Lumen Outputs, Wattages, CRI Values and IP Ratings available on request

2 - All lumens per metre (L/Mtr) and wattage per metre (W/Mtr) test measurements are based on a 1 metre length of LED strip