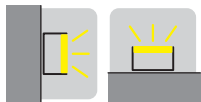
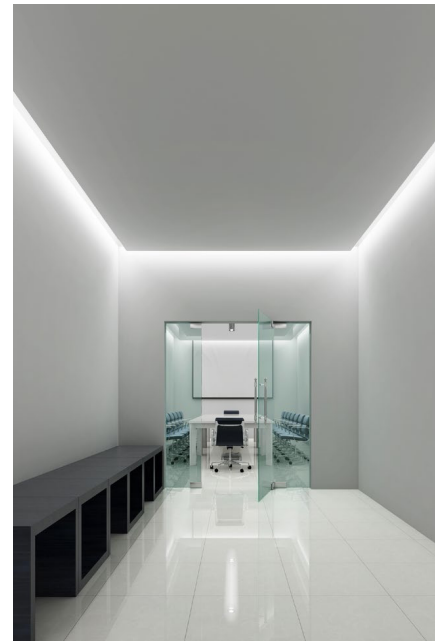
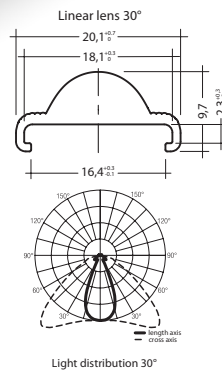
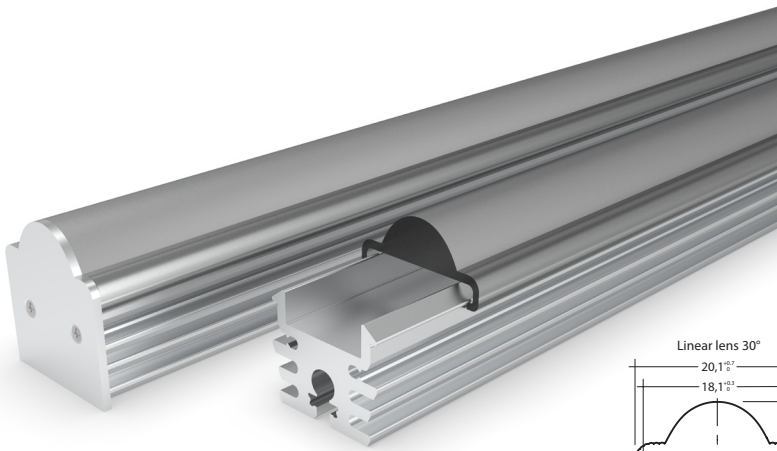


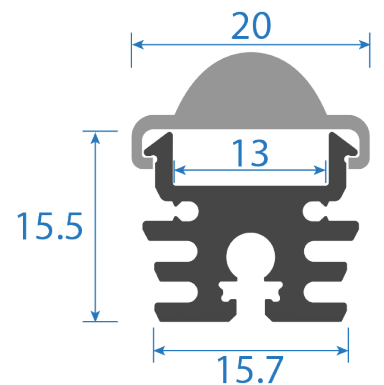
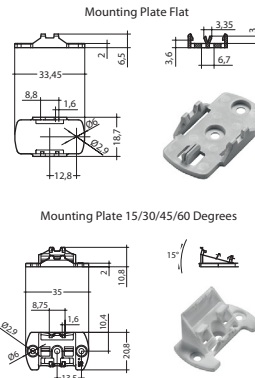
MICROH30

ARCHITECTURAL ALUMINIUM EXTRUSION



Base Material	Aluminium
Base Finish	Naturally Anodised
Diffuser Material	PC - (Poly Carbonate)
Diffuser Transmission	75%
Dimensions	Length - 2,000mm Width - 20.0mm Height - 25.0mm Internal LED Bed - 13.0mm
End Treatment	Metal Caps
Mounting	Plastic Clips - see right

Mounting Plate Options



Recommended LED options:

LED Type	Length	Width	Height	Beam Angle	Colour/Output	Code	W/Mtr	Lm/Mtr	Leds/Mtr	Cutting Unit
Linearflex 4.8	5,000mm	8mm	8mm	30°	3000K - W30, 4000K - W40	LFP33-4.8-XXX80-24	4.8	373	60	100mm
Linearflex 9.6	5,000mm	8mm	8mm	30°	3000K - W30, 4000K - W40	LFP33-9.6-XXX80-24	9.6	739	120	50mm
Linearflex 10.1	5,000mm	8mm	8mm	30°	3000K - W30, 4000K - W40	LFP33-10.1-XXX80-24	10.1	1147	98	71mm
Linearflex 14.4	5,000mm	8mm	8mm	30°	3000K - W30, 4000K - W40	LFP33-14.4-XXX80-24	14.4	1454	120	50mm
Linearflex 17.3	5,000mm	8mm	10mm	30°	3000K - W30, 4000K - W40	LFP33-17.3-XXX80-24	17.3	1964	168	42mm
Linearflex RGB	5,000mm	8mm	10mm	30°	Red, Green, Blue	LFP33-14.4-RGB-24	14.4	108 / 279 / 55	60	100mm
Linearflex RGBW	5,000mm	12mm	12mm	30°	Red, Green, Blue	LFP33-19.2-RGBW-24	19.2	108 / 279 / 55	60	100mm
Linearflex ADJ	5,000mm	10mm	10mm	30°	2700k - 6000k	LFP33-9.6-ADJ-24	9.6	950	140	100mm

- 1 - Other Lumen Outputs, Wattages, CRI Values and IP Ratings available on request
- 2 - All dimensions were correct at time of publication but measurement tolerance may vary +/- 0.5mm
- 3 - All lumens per metre (L/Mtr) and wattage per metre (W/Mtr) test measurements are based on a 1 metre length of LED strip