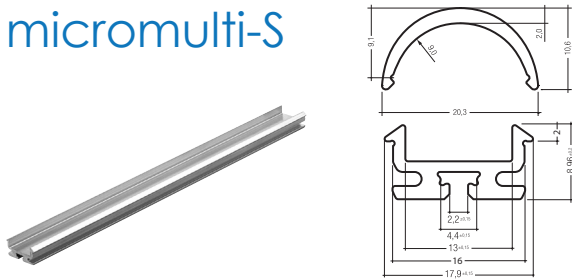


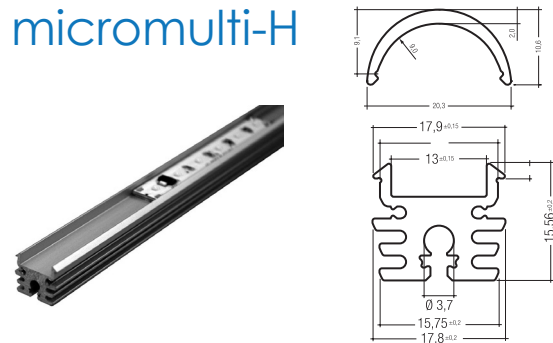
# Micromulti

## Architectural LED Aluminium Extrusion

### micromulti-S



### micromulti-H



## Self Assemble Linear Extrusion

Available in continuous lengths up to 2.0 metres

This LED profile can be used for many applications. Applications include wall mount, ceiling mount, under cupboard mount and pelmet applications. Natural anodised aluminium finish, 6063 grade aluminium. A range of mounting options and cover variants available.

#### EXTRUSION - micromulti-S-(X)

Complete with - Clear (C), Frosted (F) or Matt (M) Standard Cover  
 Complete with - 4 x End Caps and 4 x Flat Mounting Clips  
 Dimensions - (W) 20.3mm (H) 16.1mm (L) 2000mm

#### EXTRUSION - micromulti-S-(X-XX)

Complete with - Clear (C) or Frosted (F) Linear Lens  
 Complete with - 30° (30), 60° (60) or 90° (90) Beam Angle  
 Complete with - 4 x End Caps and 4 x Flat Mounting Clips  
 Dimensions - (W) 20.1mm (H) 19.0mm (L) 2000mm

Compatible Linearflex IP33 LED strips:

LFIP33-4.8	LFIP33-9.6	LFIP33-10.1	LFIP33-14.4
○ W60	○ W60	○ W60	RGB
○ W40	○ W40	○ W40	
○ W30	○ W30	○ W30	
○ W27	○ W27	○ W27	
● RED	● RED		
● GREEN	● GREEN		
● BLUE	● BLUE		
● YELLOW	● YELLOW		

#### EXTRUSION - micromulti-H-(X)

Complete with - Clear (C), Frosted (F) or Matt (M) Standard Cover  
 Complete with - 4 x End Caps and 4 x Flat Mounting Clips  
 Dimensions - (W) 20.3mm (H) 22.7mm (L) 2000mm

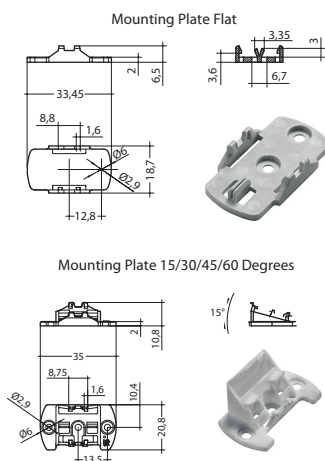
#### EXTRUSION - micromulti-H-(X-XX)

Complete with - Clear (C) or Frosted (F) Linear Lens  
 Complete with - 30° (30), 60° (60) or 90° (90) Beam Angle  
 Complete with - 4 x End Caps and 4 x Flat Mounting Clips  
 Dimensions - (W) 20.1mm (H) 25.6mm (L) 2000mm

Compatible Linearflex IP33 LED strips:

LFIP33-4.8	LFIP33-9.6	LFIP33-10.1	LFIP33-14.4	LFIP33-17.3	LFIP33-14.4
○ W60	○ W60	○ W60	○ W60	○ W60	RGB
○ W40	○ W40	○ W40	○ W40	○ W40	
○ W30	○ W30	○ W30	○ W30	○ W30	
○ W27	○ W27	○ W27	○ W27	○ W27	
● RED	● RED				
● GREEN	● GREEN				
● BLUE	● BLUE				
● YELLOW	● YELLOW				

#### Mounting Plate Options



#### Linear Lens Options

