

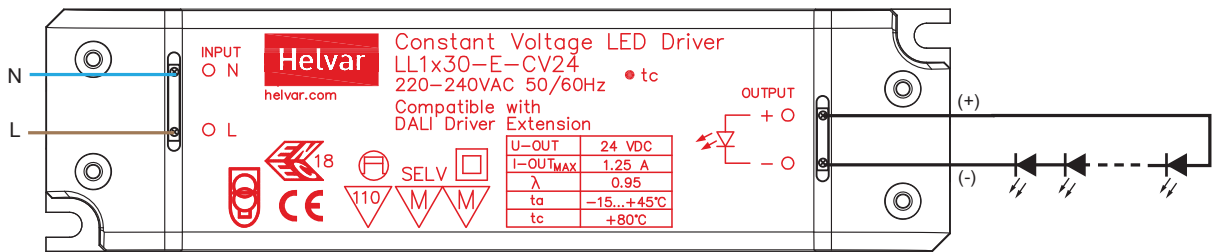
# Led Driver switching

## 1x30w Constant Voltage LED driver

- Open & short circuit protection
- Over voltage protection
- 24 V Constant voltage output
- Maximum 30 W load
- High efficiency 0.88
- Suitable for Class I, Class II and SELV luminaires
- Double insulated enclosure
- Suitable for use with LL1xCV-DA driver extension for DALI dimmable solutions



### Connections



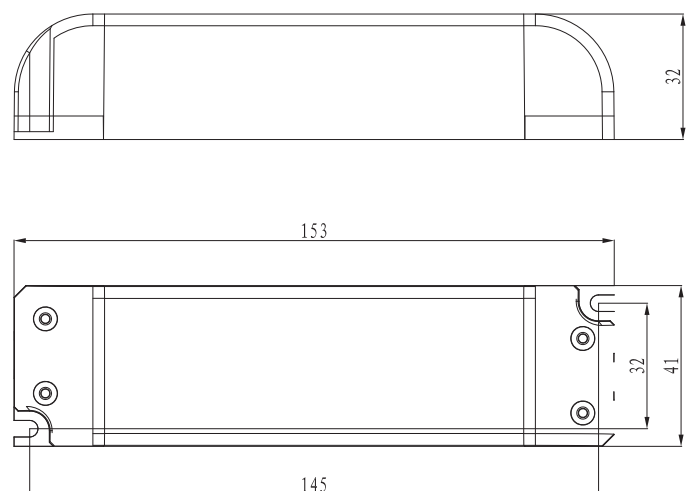
### Mains Characteristics

Voltage range	198-264 VAC
Max mains current at full load	0.4 A
Frequency	50 - 60 Hz
Power factor	0.95
Input Power at no load	0.5 W

### Load Output (SELV < 60)

Output voltage (U-OUT)	24 V
Max output current (I-OUT)	1.25 A
Max output power	30 W
Efficiency, at full load, typical	0.88

### Dimensions



### Connections and Mechanical Data

Wire size	0.5 – 1.5 mm
Wire type	solid core and fine-stranded
Maximum driver to LED wire length	5m
Weight	150 g
IP rating	IP20

### Operating Conditions and Characteristics

Max. temperature at $t_c$ point	80°C
Ambient temperature range	-15...+45 °C
Storage temperature range	-40...+80 °C
Maximum relative humidity	no condensation
Life time	30 000h, at TC max (90 % survival rate)