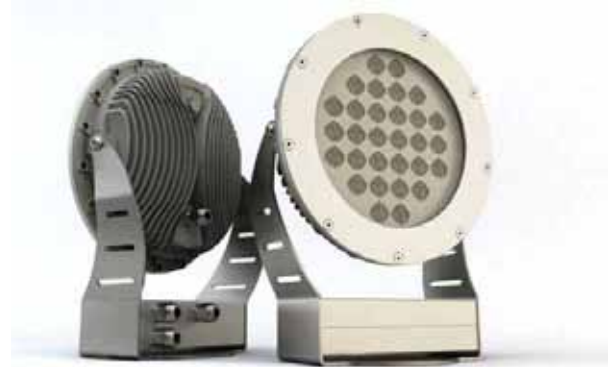


prospect

IP.66



Architectural LED

Measurements

As detailed

LED options

2400K, 3000K, 4000K, 5000k, Red, Green, Blue, Amber, RGB, RGBW, RGBA

LED Wattages

40 watts, 60 watts

Mounting Options

Surface, Wall

Extrusions Finish

Clear Anodised, Powder Coat Colours

Control Equipment

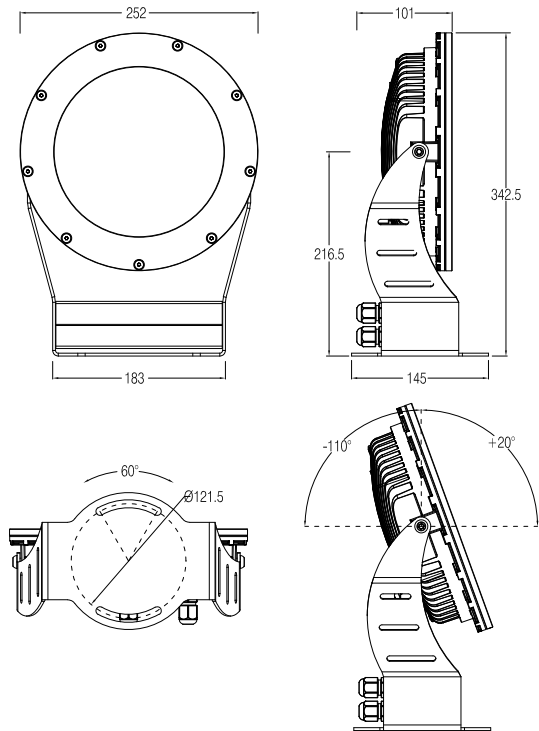
DMX, DMXRDM

Optics

Can Be Added

Diffuser

Clear, Satin



PRODUCT CODE BUILDER

prospect **A** **B** **A** **C** **A** **A** **E**

Power in Watts

40watts - **A**
60 Watts - **B**

LED Colour

2400K - **A**
3000K - **B**
4000K - **C**
5000K - **D**
Red - **E**
Green - **F**
Blue - **G**
RGB - **H**
Amber - **I**
RGBW - **J**
RGBA - **K**
Custom - **X**

Diffuser

Clear - **A**
Custom - **X**

Product Finish

Clear Anodised - **A**
Powder Coat White - **B**
Powder Coat Black - **C**
Powder Coat Silver - **D**
Custom - **X**

Mounting

Wall - **A**
Surface - **B**
Custom - **X**

Optics

Standard - **A**
Custom - **X**

Control

Switched - **A**
DMX - **B**
DMXRDM - **C**
Custom - **X**

Specifications are subject to change without notice
PROSPECTRX1

XULUX Pty Ltd
14/388 Newman Rd Geelong Q 4034
P 07 3172 7131 F 07 3161 5598
E sales@xulux.com.au
W www.xulux.com.au