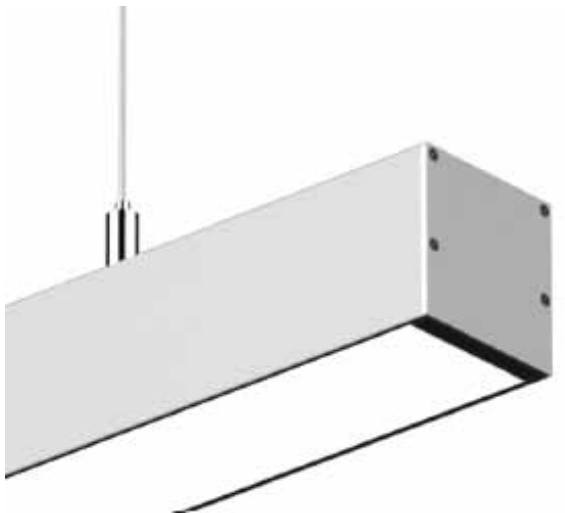


# bline 5050

Architectural LED Linear Wash



Suspension Accessories



End Caps

## Optics

Philips Lumiled 7.7mm Pitch LED Engine

## Control Options (with suitable Driver)

DALI, DSI, 1-10vdc, DMX and Switched

## LED Colour Options

3000K, 4000K, 6000K,  
Red, Green, Blue, Amber

## IP Rating

IP40

## LED Wattage

8.5 watts per module (36 x LED's per module)  
Linear Flex Modules Available

## Lumen Output LED Connect

LWx - 3000k - 2500Lm/Metre

LWx - 4000k - 2675Lm/Metre

LWx - 6000k - 2850Lm/Metre

## Dimensions

As Detailed Below

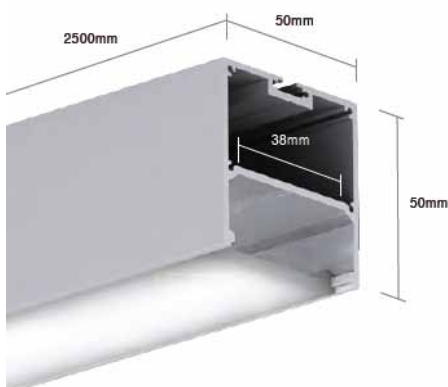


Connecting Accessories



## Lumen Output Linear Flex

Please consult xulux data sheets  
for wattages and lumen outputs



LW-1 = 290mm  
LW-2 = 570mm  
LW-3 = 850mm  
LW-4 = 1130mm  
LW-5 = 1410mm  
LW-6 = 1690mm  
LW-7 = 1970mm

## PRODUCT CODE BUILDER

bline5050 - **LW1** - **W30** - **A**

Module Qty	LED Colour	Control
LW - 1	3000K - <b>W30</b>	1-10-vdc - <b>A</b>
LW - 2	4000K - <b>W40</b>	DSI - <b>B</b>
LW - 3	6000K - <b>W60</b>	DALI - <b>C</b>
LW - 4	Red - <b>R</b>	DMX - <b>D</b>
LW - 5	Green - <b>G</b>	Switched - <b>E</b>
LW - 6	Blue - <b>B</b>	Custom - <b>X</b>
	Amber - <b>A</b>	